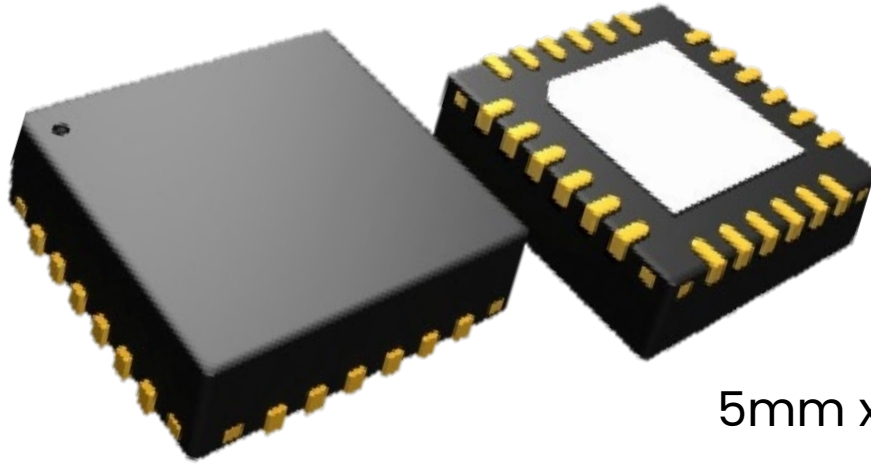




TRITON SYSTEMS



FGD RADIATION SENSORS



5mm x 5mm

Low/Zero Power Radiation Sensor

**Stop putting up
with black box
solutions and
take control of
your design
today.**

DESIGNED FOR YOUR EMBEDDED SOLUTIONS

Triton Systems' Floating Gate Dosimeter FGD-02F sensor provides an Active or Passive solution to radiation monitoring challenges. It is designed to measure and record x-ray, gamma and proton sources with a total ionizing dose (TID) of up to 250 Gy (25000rad), and measure doses as low as 200 mGy.

Operating on a single 5 Vdc supply, the sensor incorporates a standard digital SPI interface to operate and read levels from the sensor.

In use today in a DoD program of record (POR).

KEY FEATURES

- Radiation sensor with SPI interface
- Detects x-ray, gamma and proton dose
- Total dose up to 250 Gy (TID)
- Minimum detectable 200mGy
- Two independent sensors for redundancy
- Passive detection mode for low/zero power monitoring
- Low power consumption
- Operates on 5VDC @10mA
- QFN32, 5mm x 5mm package
- Temperature monitor integrated into chip
- Sensor is resettable
- Operating Temperature: -40° - +85°C
(Storage: -40° - +120°C)
- Serialized (individually)

APPLICATIONS

- Radiation Sensors
- Passive/Active dosimetry monitoring
- Laboratory environments
- Personal dosimetry
- Space/aerospace
- Military
- Sea
- Industrial systems
- Manufacturing
- Health sector
- Mining
- Landfill
- Embedded systems
- Airport scanners
- Economic multi-point monitoring systems
- Cargo container monitoring
- Package monitoring
- CBRN suites
- Surveillance
- Product tamper detection
- Hazardous Waste
- Produced Water

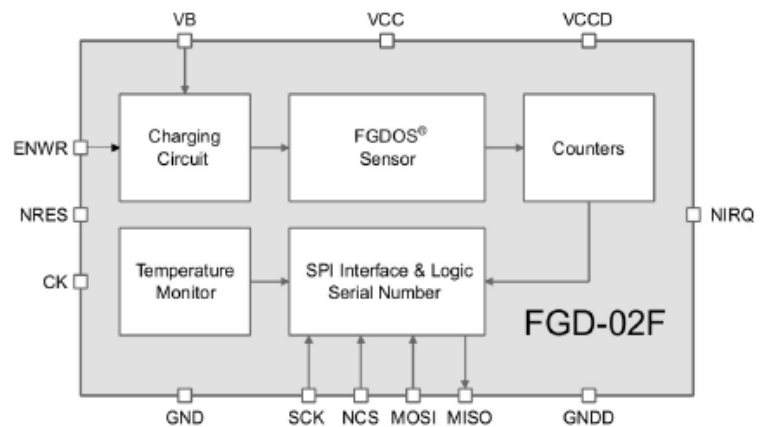
CONTACT US

Contact Us for Additional
Information and Pricing

jdean@tritonsys.com

(978) 425-4000

Triton Systems, Inc.
330 Billerica Road, Suite 200
Chelmsford, MA 01824



ABOUT TRITON SYSTEMS, INC.

Triton's mission is to develop innovative products to solve our customers' most challenging problems.

For over thirty years, Triton Systems has conducted research and development for the U.S. Department of Defense. Operating in a secure cleared facility, Triton fuses innovative solutions with emerging technology.